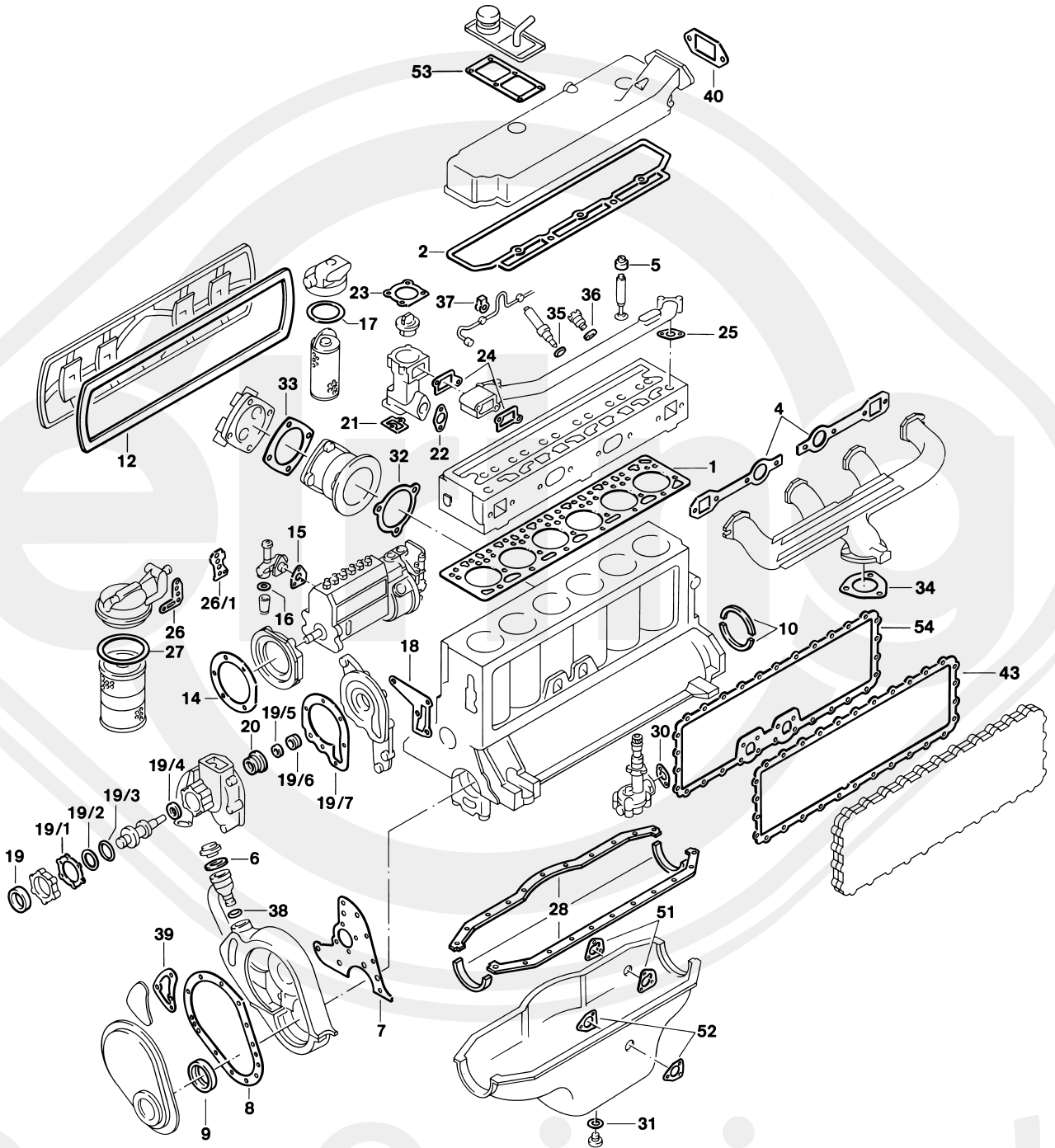




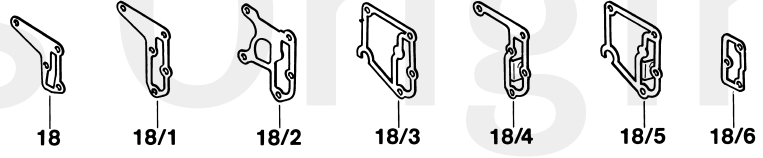
Das Original

Mercedes-Benz

OM 352



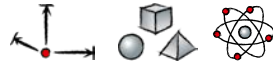
Das Original





Das Original

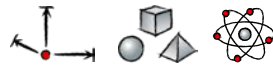
341.900 | 910-913 | 915 | 919 | 931 | 932 | 935 | 936 | 941 | 946 | 948 | 949 | 951 | 995
 344.905 | 912 | 919 | 920 | 930 | 932 | 933 | 940 | 941 | 943-946 | 949 | 963 | 964 | 991 | 997
 352.900 | 901 | 904-912 | 914 | 915 | 917 | 930-936 | 938 | 939 | 942-945 | 948 | 953-967
 352.969-976 | 978-983 | 985-987 | 989-993 | 996-999
 353.900-905 | 907 | 915-917 | 922 | 923 | 930-936 | 938 | 940-946 | 960-969 | 980-984 | 989



S *	826.871	1x	-	-	-	→ 760548 FE
S *	826.928	1x	-	-	-	760549 → FE
ES	813.842	1x	352 010 26 21	-	-	-
CS *	817.503	1x	353 010 47 08	-	-	→ 598249 FE
CS *	817.538	1x	353 010 49 08	-	-	598250 → 760548 FE
CS *	817.511	1x	353 010 48 08	-	-	760549 → FE
OKS	813.818	1x	352 180 25 65	-	-	→ 730880
OKS	828.181	1x	352 180 37 65	-	-	730881 →
ZKS	820.075	1x	-	M12x1,75x111	-	-
1	760.678	1x	366 016 06 20	∅ 98,5 mm $\pm 1,2$ mm	-	-
2	777.773	1x	352 016 09 21	-	-	-
4	522.929	2x	352 142 04 80	-	-	-
5	325.813	6x	352 053 02 96	9x14,6/19x14 ACM	-	→ 794938 FE
5	577.898	6x	366 053 00 58	9x14,6/19x15 FPM	-	794939 → FE
5	468.045	6x	360 053 00 96	10x14,6/19x14 ACM	-	→ 794938 FE
5	577.901	6x	366 053 01 58	10x14,6/19x15 FPM	-	794939 → FE
6		1x	352 018 01 80	37x59,5x3 CP	-	→ 462952
6	827.428	1x	102 018 03 80	38,5x59x2,3 HNBR A	-	462953 →
7	977.160	1x	366 015 01 80	-	-	-
8	184.268	1x	352 015 03 20	-	-	→ 598249
8	768.804	1x	366 015 00 20	-	-	598250 →
9	283.983	1x	009 997 77 47 009 997 94 47 006 997 85 47	65x90x15 A/B LA RD FPM	-	→ 598249
9	553.272	1x	014 997 16 47	65x90x12 AW/BS RD FPM	-	598250 →
10	101.577	2x	001 997 31 41	-	-	-
12	748.498	1x	352 015 05 22	-	-	-
14	112.802	1x	352 076 02 80	-	-	-
15		1x	001 074 22 80	-	-	-



341.900 | 910-913 | 915 | 919 | 931 | 932 | 935 | 936 | 941 | 946 | 948 | 949 | 951 | 995
 344.905 | 912 | 919 | 920 | 930 | 932 | 933 | 940 | 941 | 943-946 | 949 | 963 | 964 | 991 | 997
 352.900 | 901 | 904-912 | 914 | 915 | 917 | 930-936 | 938 | 939 | 942-945 | 948 | 953-967
 352.969-976 | 978-983 | 985-987 | 989-993 | 996-999
 353.900-905 | 907 | 915-917 | 922 | 923 | 930-936 | 938 | 940-946 | 960-969 | 980-984 | 989



16	716.200	1x	000 997 00 40	28x36x2 NBR A	-
17	733.431	1/2x	000 477 31 80	95x103x3 NBR A	-
17	731.269	1/2x	000 477 35 80	75x81,4x3 NBR A	-
18		1x	352 201 20 80	-	352.906/911/914/932/933/943/ 970/976/979/982/990 → 011957 (außer out of hors de excepto esterno 011932/011953/ 011954)
18		1x	352 201 20 80	-	352.910/942/965/967/971- 975/981/983/989/999 → 018151 (außer out of hors de excepto esterno 018143-018146)
18		1x	352 201 20 80	-	352.901/904/905/908/912/915/ 917/930/931/936/938/944/945/948/ 953-963/969/978/980/991-993 → 034435 (außer out of hors de excepto esterno 034226/ 034304/034305/034321-034324/ 034334-034337/034344-034347/ 034352-034358/034377-034383/ 034405-034416/034418-034426)
18/1		1x	352 201 16 80	-	352.906/911/914/932/933/943/ 970/976/979/982/990 011958 → (011932/011953/011954)
18/1		1x	352 201 16 80	-	352.910/942/965/967/971-975/ 981/983/989/999 → 018152 (018143-018146)
18/1		1x	352 201 16 80	-	352.901/904/905/908/912/915/ 917/930/931/936/938/944/945/948/ 953-963/969/978/980/991-993 034436 → (034226/034304/ 034305/034321-034324/ 034334-034337/034344-034347/ 034352-034358/034377-034383/ 034405-034416/034418-034426)
18/1		1x	352 201 16 80	-	352.905/980/993 034436 → 049763
18/1		1x	352 201 16 80	-	352.906/908/936/963/969/990 → 760548
18/2	776.017	1x	352 201 18 80	-	352.907/909/986 → 017729
18/2	776.017	1x	352 201 18 80	-	352.985 → 024056
18/2	776.017	1x	352 201 18 80	-	352.934/935/939/964/987/996-998 353.904/917/941/965/981/982 → 047724



341.900 | 910-913 | 915 | 919 | 931 | 932 | 935 | 936 | 941 | 946 | 948 | 949 | 951 | 995
 344.905 | 912 | 919 | 920 | 930 | 932 | 933 | 940 | 941 | 943-946 | 949 | 963 | 964 | 991 | 997
 352.900 | 901 | 904-912 | 914 | 915 | 917 | 930-936 | 938 | 939 | 942-945 | 948 | 953-967
 352.969-976 | 978-983 | 985-987 | 989-993 | 996-999
 353.900-905 | 907 | 915-917 | 922 | 923 | 930-936 | 938 | 940-946 | 960-969 | 980-984 | 989

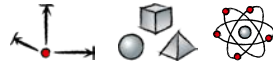


18/3	775.992	1x	352 201 19 80	-	352.907/909/986
18/3	775.992	1x	352 201 19 80	-	352.985 024057 → 352.934/935/939/964/987/996-998 353.904/917/941-946/963-969/ 981-984/989 047725 →
18/3	775.992	1x	352 201 19 80	-	352.905/980/993 049764 →
18/3	775.992	1x	352 201 19 80	-	352.964 353.904/917/941-946/963-969/ 981-984/989 → 760548
18/3	775.992	1x	352 201 19 80	-	353.903/915/916
18/4	775.535	1x	352 201 17 80	-	352.906/908/936/963/969/990 760549 →
18/5	768.033	1x	366 201 04 80	-	352.980/987/993/996-998 353.904/941/943/944/964/965/ 967/968/969/981-984/989 760549 →
18/6		1x	366 201 03 80	-	352.964/980/987/993/996-998
19	344.400	1x	003 997 51 46 005 997 00 47	42x56x7 NBR A	-
19/1	827.096	1x	352 201 21 80	-	→ 012782
19/2		1x	352 201 22 80	-	012783 → 041305
19/3		1x	005 997 11 45	62x3 NBR RD	012783 →
19/4	054.003	1x	002 997 84 46 005 997 01 47	17x35x7 NBR A	-
19/5		1x	000 201 04 63	-	-
19/6		1x	000 201 01 97	-	-
19/7	768.961	1x	364 201 02 80	-	-
20	577.804	1x	001 201 19 19	-	-
21	777.782	1x	352 203 23 80	-	-
22	775.673	1x	917003 022003	-	-
23	811.808	1x	352 203 20 80	-	004711 → 437435
23	777.811	1x	352 203 22 80	-	437436 →
24	777.804	2x	352 203 24 80	-	-
25	768.988	2x	366 203 03 80	-	004711 →
26		1x	366 184 00 80	-	→ 493600



Das Original

341.900 | 910-913 | 915 | 919 | 931 | 932 | 935 | 936 | 941 | 946 | 948 | 949 | 951 | 995
 344.905 | 912 | 919 | 920 | 930 | 932 | 933 | 940 | 941 | 943-946 | 949 | 963 | 964 | 991 | 997
 352.900 | 901 | 904-912 | 914 | 915 | 917 | 930-936 | 938 | 939 | 942-945 | 948 | 953-967
 352.969-976 | 978-983 | 985-987 | 989-993 | 996-999
 353.900-905 | 907 | 915-917 | 922 | 923 | 930-936 | 938 | 940-946 | 960-969 | 980-984 | 989



26/1		1x	364 184 02 80	-	493601 →
27	774.057	1x	000 184 65 80	115x5,1 NBR RD	→ 493600
27	305.308	1x	006 995 25 48	101x4,3 NBR RD	493601 →
28	284.734	1x	366 010 06 80	-	
28	893.110	1x	366 010 07 80	-	353.963/966-969
30		1x	312 186 00 80	-	-
31	813.168	1x	915035 000029	24x32x2,5 CUW C	→ 142014
31	031.046	1x	007603 026109	26x34x2 CU A	142015 →
32	775.950	1x	321 131 00 80	≙ 0,25 mm (Ø 77 mm Cyl.)	→ 470359
32	775.968	1x	321 131 01 80	≙ 0,5 mm (Ø 77 mm Cyl.)	→ 470359
32	768.863	1x	366 131 02 80	≙ 0,65 mm (Ø 94 mm Cyl.)	470360 →
32	768.871	1x	366 131 01 80	≙ 0,9 mm (Ø 94 mm Cyl.)	470360 →
33		1x	352 131 06 80	≙ 1,0 mm (Ø 77 mm Cyl.)	→ 470359
33	768.863	1x	366 131 02 80	≙ 0,65 mm (Ø 94 mm Cyl.)	470360 →
33	768.871	1x	366 131 01 80	≙ 0,9 mm (Ø 94 mm Cyl.)	470360 →
34	778.044	1x	442 492 02 80	Ø 70 mm	-
35		6x	388 017 01 60	10,5x21,8x1 CU A	-
35	067.989	6x	346 017 02 60	9,5x20x1,5 CU A	-
36	776.262	6x	016 997 82 48	30,8x3,7 FPM RD	-
37	175.811	6x	352 078 00 80	8,2x12x8,3x1 CU	-
38		1x	006 997 46 45	28x2 NBR RD	080570 → 431135
38		1x	000 997 13 48	27x2,5 NBR RD	431136 →
39		1x	352 015 03 80	-	-
40		1x	352 016 03 80	-	-
43	775.659	1x	366 188 02 80	-	-
51		2x	366 018 02 80	-	-
52		2x	366 018 05 80	-	-
53		1x	312 018 05 80	-	→ 412172
53	-	1x	352 018 07 80	-	412173 → 530918
54	811.777	1x	352 188 08 80	-	→ 730880
54	829.773	1x	366 188 05 80	-	730881 →