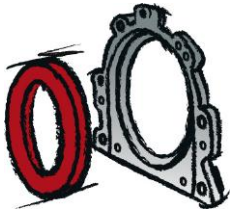
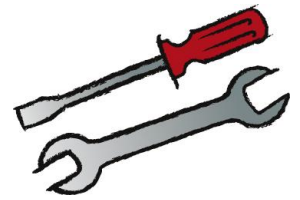




Das Original

TSI 07/13



Oil seal, injection pump

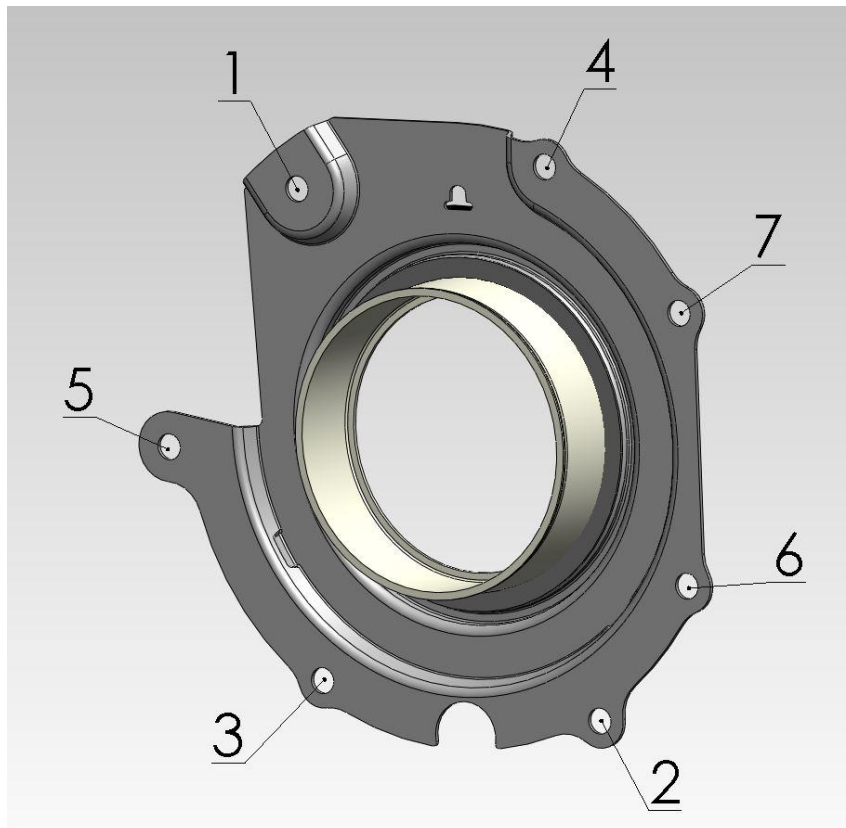
Ford

BHDA | BHDB | BHPA | C9DA | C9DB | C9DC
F9DA | F9DB | FFBA | FFDA | FFWA | HCPA
HCPB | KHBA | KKDA | KKDB | P7PA | P7PB
P9PC | P9PD | QYBA | QYWA | R2PA | R3PA
RTN | RTP | RWPA | RWPC | RWPD | RWPE
RWPF



527.410

- Tightening torque: 10 Nm
- Follow the tightening sequence



- Use installation sleeve
- Attention: Never use grease or oil!!